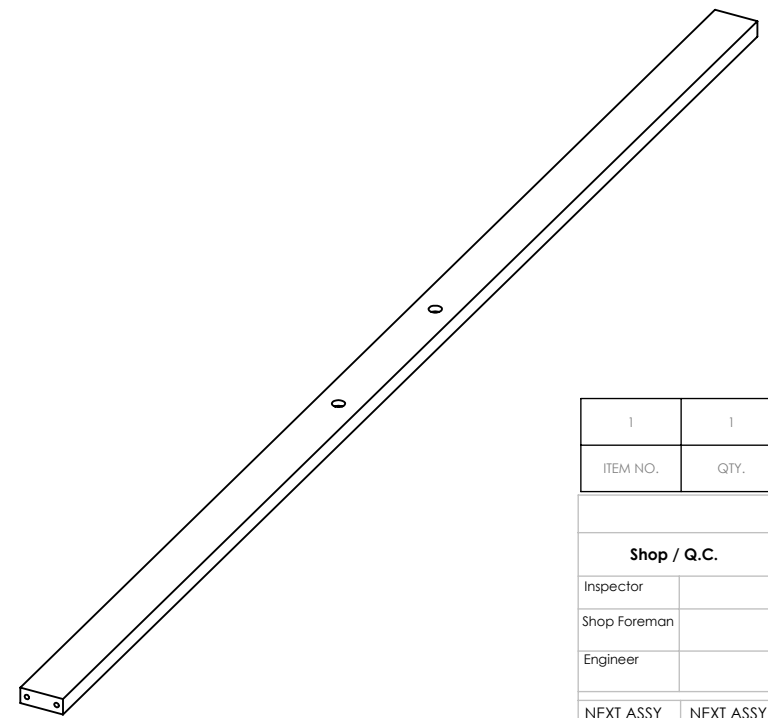
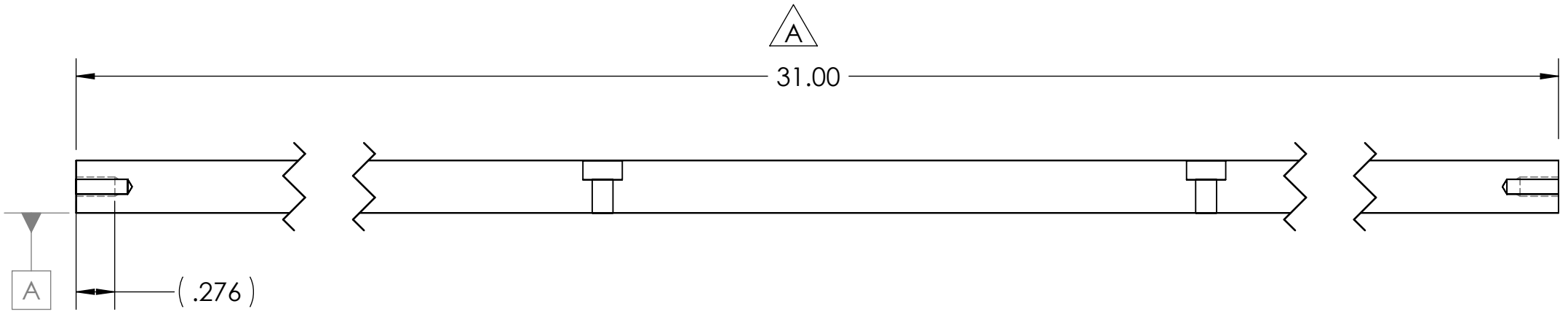
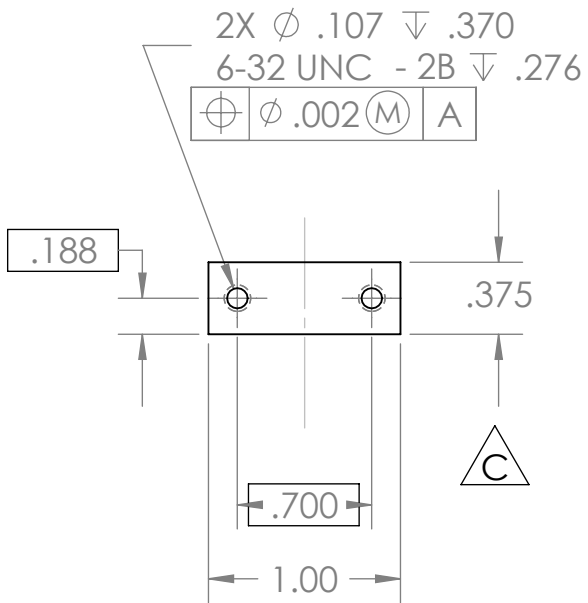
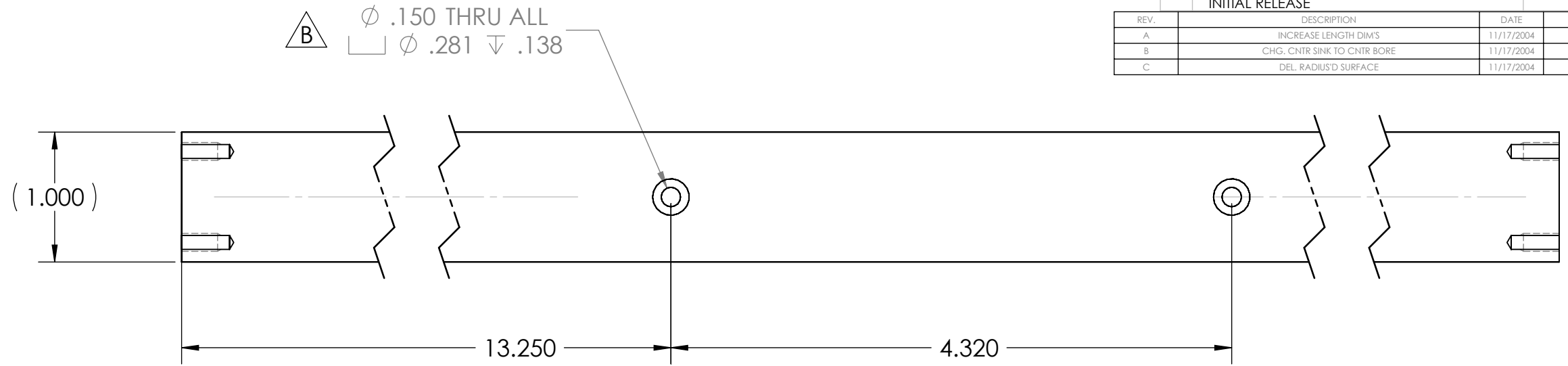



THE INFORMATION CONTAINED IN THIS DRAWING IS THE SOLE PROPERTY OF MBARI ANY REPRODUCTION IN PART OR WHOLE WITHOUT THE WRITTEN PERMISSION OF MBARI IS PROHIBITED.

REVISIONS			
REV.	DESCRIPTION	DATE	APPROVED
INITIAL RELEASE			
A	INCREASE LENGTH DIM'S	11/17/2004	J.E.
B	CHG. CNTR SINK TO CNTR BORE	11/17/2004	J.E.
C	DEL. RADIUS'D SURFACE	11/17/2004	J.E.



4 EA.

ITEM NO.	QTY.	Part_Number	DESCRIPTION	VENDOR	MATERIAL
1	1	1002208	Slide Guide		ACETAL (BLACK DELRIN)

Shop / Q.C.		UNLESS OTHERWISE SPECIFIED TOLERANCES ARE:				APPROVALS	DATE	Monterey Bay Aquarium Research Institute			
Inspector		1 PLACE DIM ±.016	2 PLACE DIM ±.02	3 PLACE DIM ±.005	ANGLES ±1°	DRAWN	8/30/2013	MBARI 7700 Sandholdt RD. Moss Landing, CA 95039 PH: (831) 775-1700 			
Shop Foreman		1. DIMENSIONS ARE IN INCHES				ENGINEER					
Engineer		2. DIMENSION LIMITS HELD AFTER PLATING.				CHECKED	J. F. 8/24/04				
NEXT ASSY Description	NEXT ASSY Number	3. REMOVE BURRS AND SHARP EDGES .015 MAX.				PROJECT NO.	900213				
		4. MACHINED FILLET RADII .0150-.030.				PROJECT	ISMS				
		5. MACHINED DIAMETERS ON A COMMON CENTERLINE CONCENTRIC WITHIN .005				WEIGHT	0.398 LB.	SIZE B	DWG. NO.	1002208	REV. C
		6. PERPENDICULARITY & PARALLELISM OF MACHINED SURFACES .002 PER INCH. MAX .012 INCHES FOR SINGLE SURFACE.				SCALE	1:4	CAD FILE:	Project_Library//	SHEET 1 OF 1	
Application		DO NOT SCALE DRAWING									

SolidWorks Student Edition.
 For all dimensions, use the common center lines unless specified otherwise.
 NOTES: (Continued from Title Block)