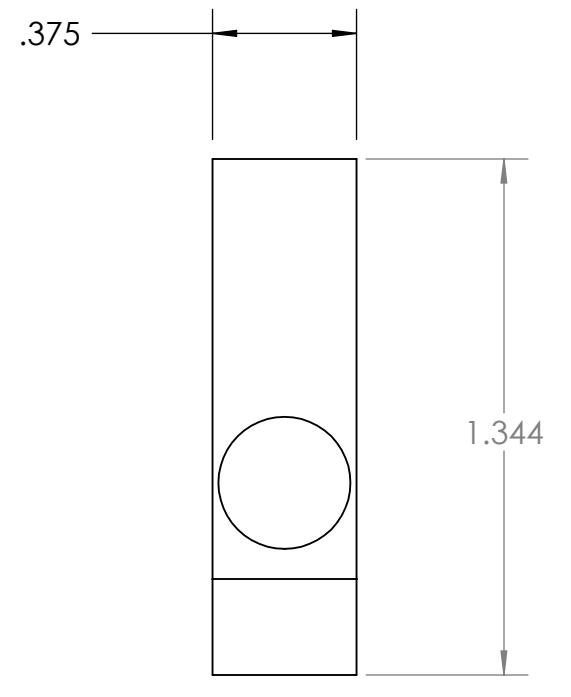
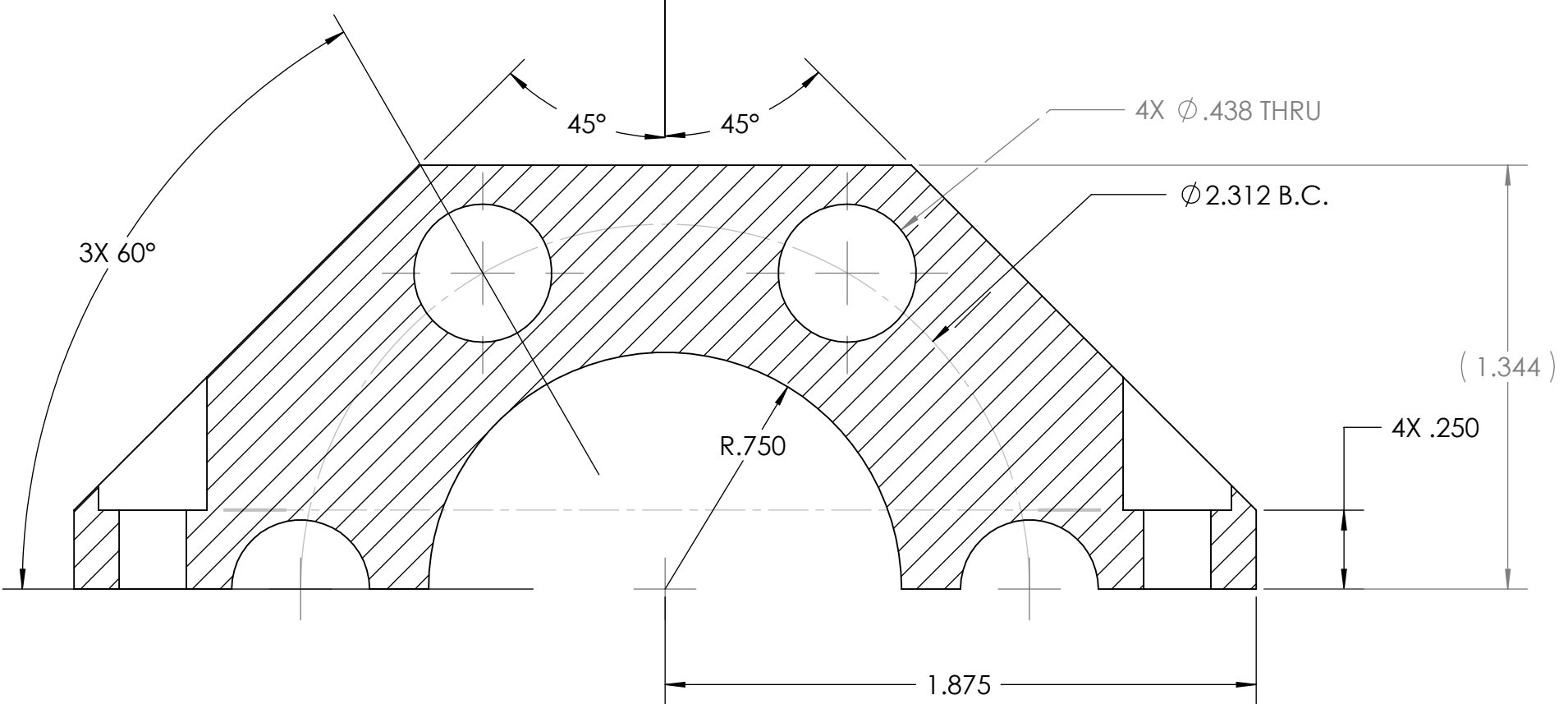
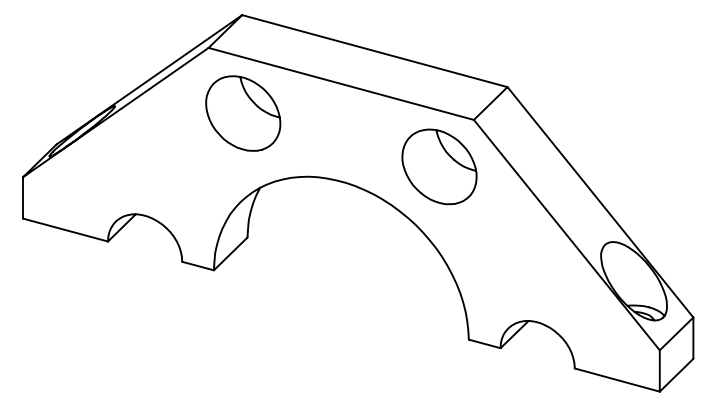
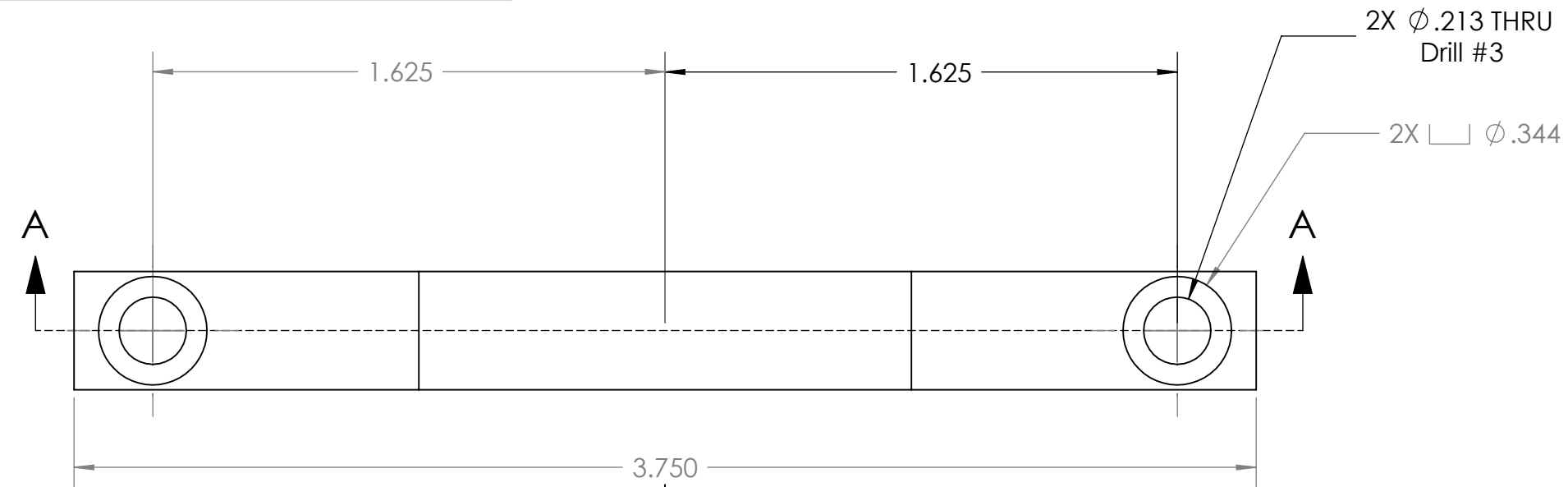


THE INFORMATION CONTAINED IN THIS DRAWING IS THE SOLE PROPERTY OF MBARI ANY REPRODUCTION IN PART OR WHOLE WITHOUT THE WRITTEN PERMISSION OF MBARI IS PROHIBITED.

INITIAL RELEASE		REVISIONS	X/XX/01	J.E.
-----------------	--	-----------	---------	------



SECTION A-A

ITEM NO.	QTY.	Part Number	DESCRIPTION	VENDOR	MATERIAL
1	1	1002496	MOUNT COLLAR CLAMP		Aluminum 6061-T6
<b>BILL OF MATERIALS</b>					
<b>Shop / Q.C.</b>		UNLESS OTHERWISE SPECIFIED TOLERANCES ARE:		APPROVALS	DATE
Inspector		1 PLACE DIM ±.1/16	2 PLACE DIM ±.02	3 PLACE DIM ±.005	ANGLES ±1°
Shop Foreman		1. DIMENSIONS ARE IN INCHES		J. ERICKSON	7/12/04
Engineer		2. DIMENSION LIMITS HELD AFTER PLATING.		J. ERICKSON	7/12/04
		3. REMOVE BURRS AND SHARP EDGES .015 MAX.		J. F.	8/24/04
		4. MACHINED FILLET RADII .0150-.030.			
NEXT ASSY Description	NEXT ASSY Number	5. MACHINED DIAMETERS ON A COMMON CENTERLINE CONCENTRIC WITHIN .005		PROJECT NO.	900213
		6. PERPENDICULARITY & PARALLELISM OF MACHINED SURFACES .002 PER INCH. MAX .012 INCHES FOR SINGLE SURFACE.		PROJECT	ISMS
Application		DO NOT SCALE DRAWING	WEIGHT	0.032 lb.	

Monterey Bay Aquarium Research Institute  
**MBARI**  
 7700 Sandholdt RD.  
 Moss Landing, CA 95039  
 PH: (831) 775-1700



MASS\_SPEC  
 MountCollar Clamp

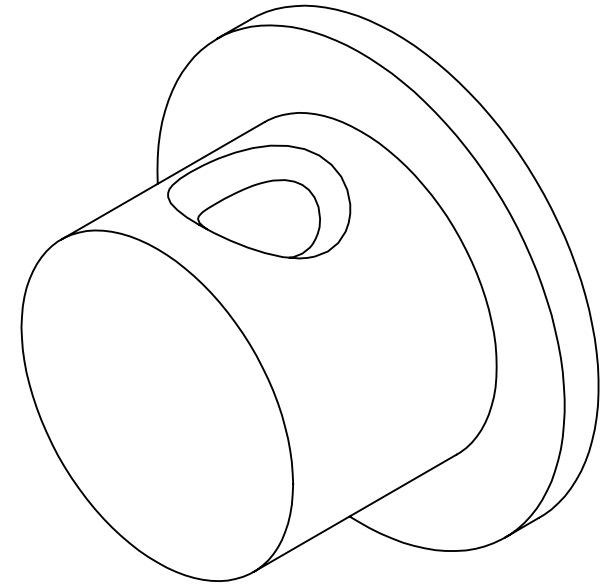
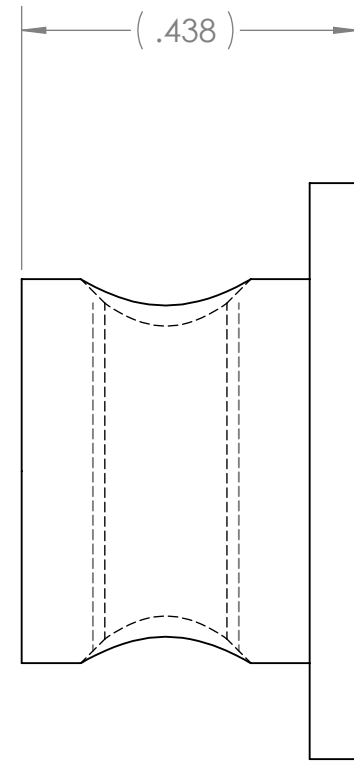
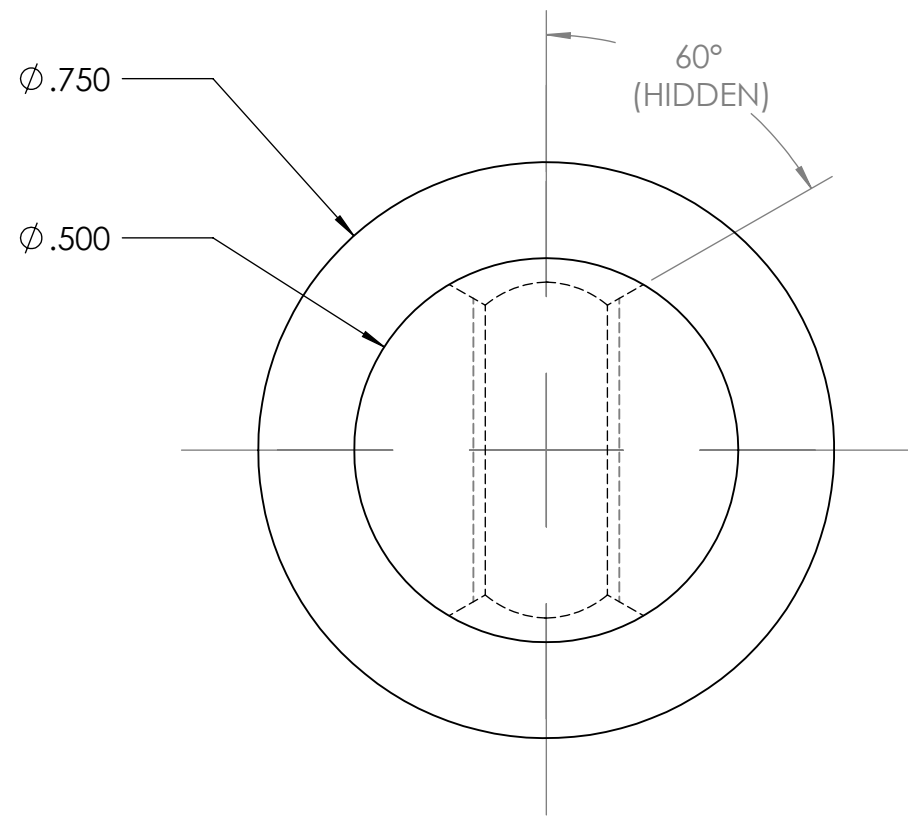
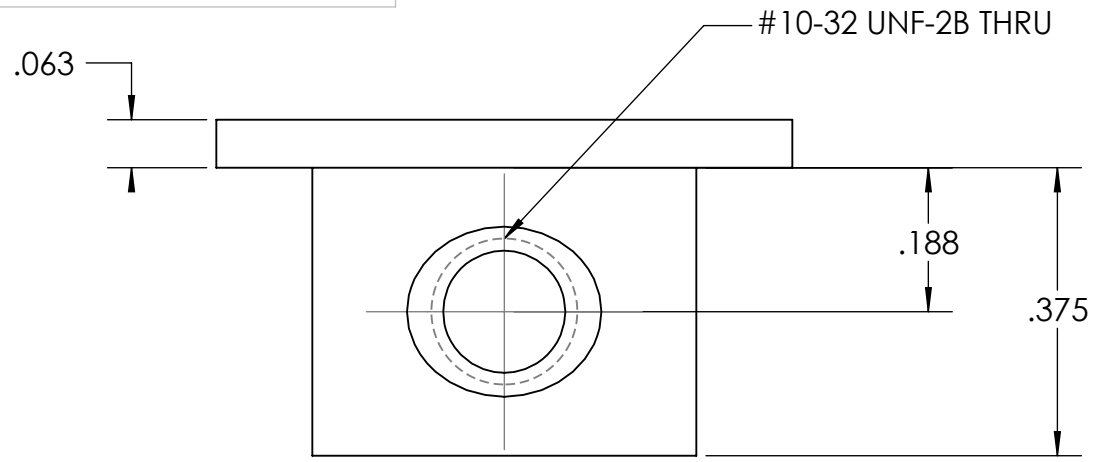
SIZE B DWG. NO. 1002496.DWG

SCALE 2:1 CAD FILE: MECH ENG ON TORNADO SHEET 1 OF 2

**SolidWorks Student Edition.**  
 For Academic Use Only.  
 Finish: Gold Anodize per MIL-A-8625F Type IIB Class 2  
 NOTES: (CONT. FROM TITLE BLOCK)

THE INFORMATION CONTAINED IN THIS DRAWING IS THE SOLE PROPERTY OF MBARI ANY REPRODUCTION IN PART OR WHOLE WITHOUT THE WRITTEN PERMISSION OF MBARI IS PROHIBITED.


REVISIONS			
REV.	DESCRIPTION	DATE	APPROVED
1	INITIAL RELEASE	X/XX/00	J.E.



**4 EA.**

ITEM NO.	QTY.	Part_Number	DESCRIPTION	VENDOR	MATERIAL
1	1	1002496	Flanged Barrel Nut		Aluminum Bronze CDA614

**BILL OF MATERIALS**

Shop / Q.C.		UNLESS OTHERWISE SPECIFIED TOLERANCES ARE:				APPROVALS	DATE	Monterey Bay Aquarium Research Institute			
Inspector		1 PLACE DIM $\pm 1/16$	2 PLACE DIM $\pm .02$	3 PLACE DIM $\pm .005$	ANGLES $\pm 1^\circ$	DRAWN J. ERICKSON	7/12/04	<b>MBARI</b> 7700 Sandholdt RD. Moss Landing, CA 95039 PH: (831) 775-1700 			
Shop Foreman		1. DIMENSIONS ARE IN INCHES 2. DIMENSION LIMITS HELD AFTER PLATING. 3. REMOVE BURRS AND SHARP EDGES .015 MAX. 4. MACHINED FILLET RADII .0150-.030. 5. MACHINED DIAMETERS ON A COMMON CENTERLINE CONCENTRIC WITHIN .005 6. PERPENDICULARITY & PARALLELISM OF MACHINED SURFACES .002 PER INCH. MAX .012 INCHES FOR SINGLE SURFACE.				ENGINEER J. ERICKSON	7/12/04				
Engineer						CHECKED J. F.	8/24/04				
NEXT ASSY Description	NEXT ASSY Number					PROJECT NO.	900213				
Application	DO NOT SCALE DRAWING	PROJECT	ISMS	WEIGHT		MASS_SPEC MountCollar Clamp_ Barrel Nut					
		SCALE	4:1	CAD FILE:	MECH ENG ON TORNADO	SHEET	2	OF	2	REV.	

**SolidWorks Student Edition.  
For Academic Use Only.**  
NOTES: (CONT. FROM TITLE BLOCK)