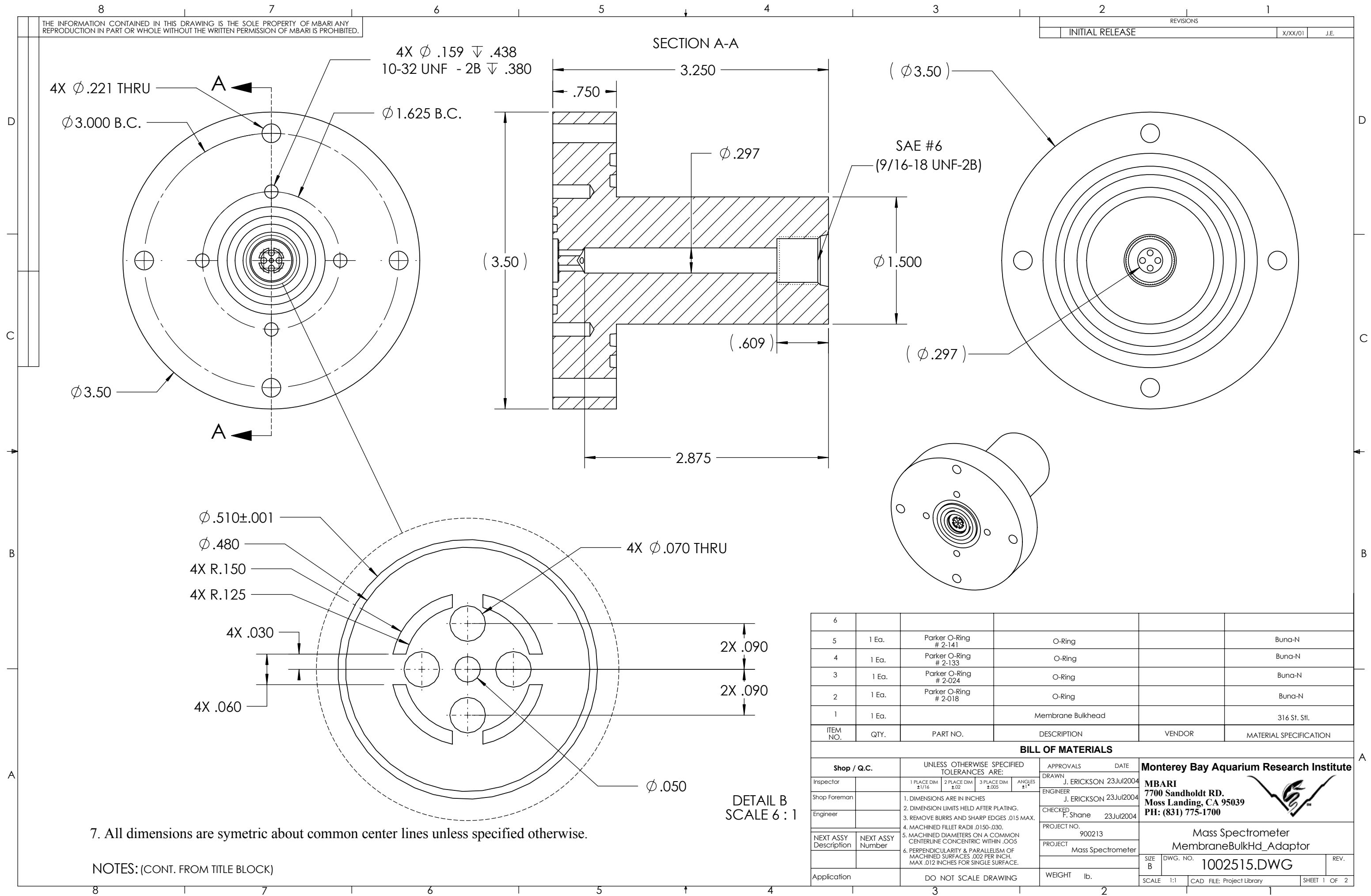


THE INFORMATION CONTAINED IN THIS DRAWING IS THE SOLE PROPERTY OF MBARI ANY REPRODUCTION IN PART OR WHOLE WITHOUT THE WRITTEN PERMISSION OF MBARI IS PROHIBITED.

INITIAL RELEASE	REVISIONS	X/XX/01	J.E.
-----------------	-----------	---------	------



ITEM NO.	QTY.	PART NO.	DESCRIPTION	VENDOR	MATERIAL SPECIFICATION
6					
5	1 Ea.	Parker O-Ring # 2-141	O-Ring		Buna-N
4	1 Ea.	Parker O-Ring # 2-133	O-Ring		Buna-N
3	1 Ea.	Parker O-Ring # 2-024	O-Ring		Buna-N
2	1 Ea.	Parker O-Ring # 2-018	O-Ring		Buna-N
1	1 Ea.		Membrane Bulkhead		316 St. SH.

BILL OF MATERIALS					
Shop / Q.C.	UNLESS OTHERWISE SPECIFIED TOLERANCES ARE:			APPROVALS	DATE
Inspector	1 PLACE DIM $\pm$ 1/16	2 PLACE DIM $\pm$ .02	3 PLACE DIM $\pm$ .005	ANGLES $\pm$ 1°	
Shop Foreman	1. DIMENSIONS ARE IN INCHES			J. ERICKSON 23Jul2004	
Engineer	2. DIMENSION LIMITS HELD AFTER PLATING.			ENGINEER J. ERICKSON 23Jul2004	
	3. REMOVE BURRS AND SHARP EDGES .015 MAX.			CHECKED F. Shane 23Jul2004	
	4. MACHINED FILLET RADII .0150-.030.			PROJECT NO. 900213	
	5. MACHINED DIAMETERS ON A COMMON CENTERLINE CONCENTRIC WITHIN .005			PROJECT Mass Spectrometer	
	6. PERPENDICULARITY & PARALLELISM OF MACHINED SURFACES .002 PER INCH. MAX .012 INCHES FOR SINGLE SURFACE.				
NEXT ASSY Description	NEXT ASSY Number				
Application	DO NOT SCALE DRAWING			WEIGHT	lb.

**Monterey Bay Aquarium Research Institute**

**MBARI**  
7700 Sandholdt RD.  
Moss Landing, CA 95039  
PH: (831) 775-1700



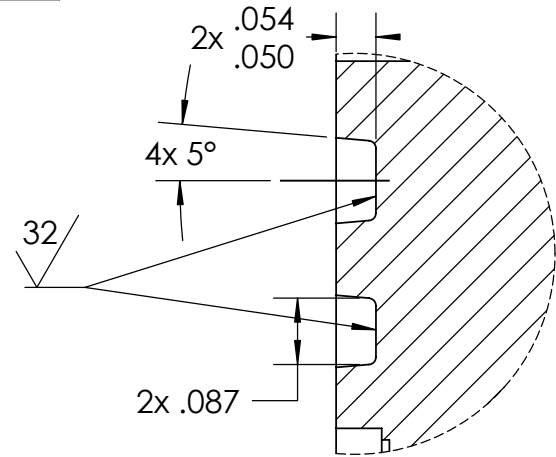
Mass Spectrometer  
MembraneBulkHd\_Adaptor

SIZE B DWG. NO. 1002515.DWG REV.

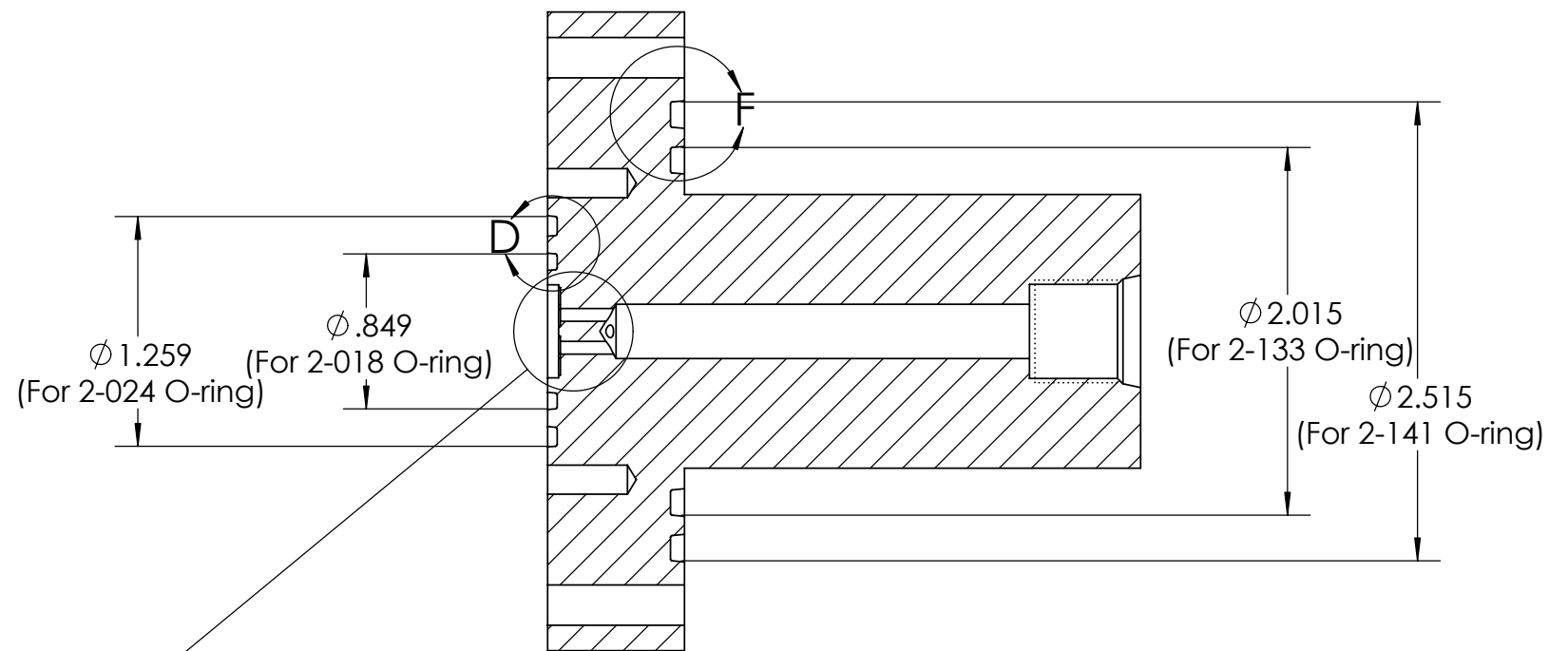
SCALE 1:1 CAD FILE: Project Library SHEET 1 OF 2

THE INFORMATION CONTAINED IN THIS DRAWING IS THE SOLE PROPERTY OF MBARI ANY REPRODUCTION IN PART OR WHOLE WITHOUT THE WRITTEN PERMISSION OF MBARI IS PROHIBITED.

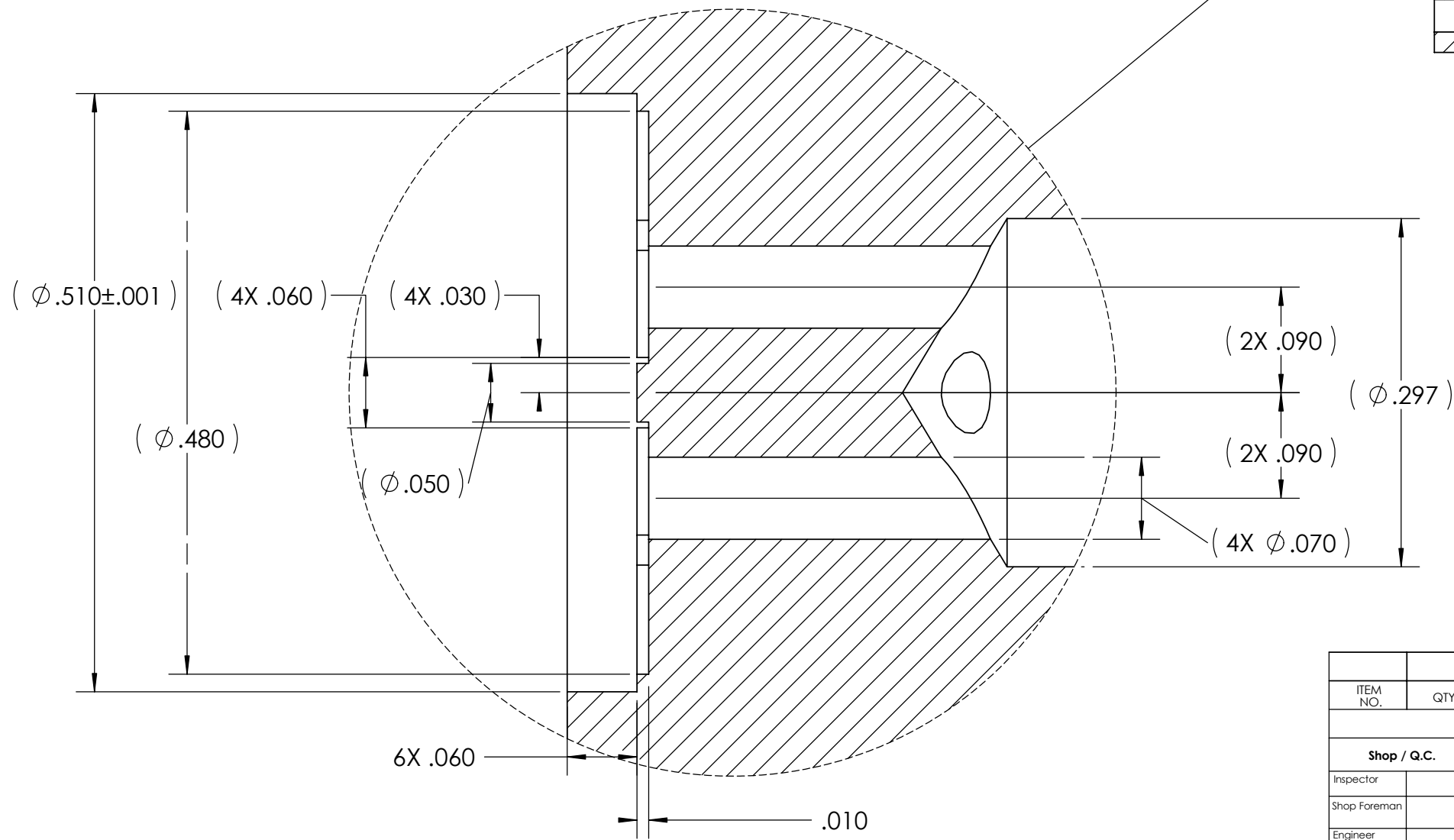
REVISIONS			
REV.	DESCRIPTION	DATE	APPROVED
	INITIAL RELEASE	X/XX/00	J.E.



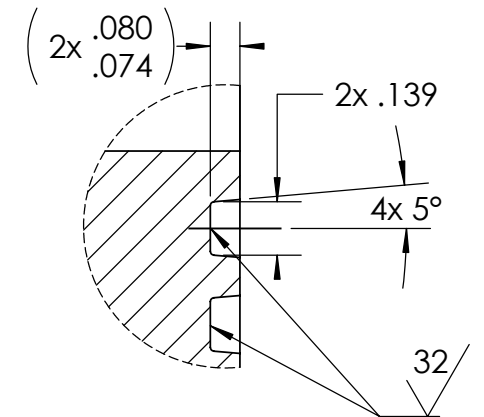
DETAIL D  
SCALE 4 : 1



SECTION A-A




DETAIL E  
SCALE 8 : 1



DETAIL F  
SCALE 2 : 1

NOTES: (CONT. FROM TITLE BLOCK)

ITEM NO.	QTY.	PART NO.	DESCRIPTION	VENDOR	MATERIAL SPECIFICATION			
<b>BILL OF MATERIALS</b>								
Shop / Q.C.			UNLESS OTHERWISE SPECIFIED TOLERANCES ARE:	APPROVALS	DATE			
Inspector			1 PLACE DIM ±1/16	2 PLACE DIM ±.02	3 PLACE DIM ±.005	ANGLES ±1°	J. ERICKSON	23Jul2004
Shop Foreman			1. DIMENSIONS ARE IN INCHES				J. ERICKSON	23Jul2004
Engineer			2. DIMENSION LIMITS HELD AFTER PLATING.				P. SHANE	23Jul2004
			3. REMOVE BURRS AND SHARP EDGES .015 MAX.					
			4. MACHINED FILLET RADII .0150-.030.					
NEXT ASSY Description	NEXT ASSY Number		5. MACHINED DIAMETERS ON A COMMON CENTERLINE CONCENTRIC WITHIN .005					
			6. PERPENDICULARITY & PARALLELISM OF MACHINED SURFACES .002 PER INCH. MAX .012 INCHES FOR SINGLE SURFACE.					
Application		DO NOT SCALE DRAWING	WEIGHT					
			<b>Monterey Bay Aquarium Research Institute</b> <b>MBARI</b> <b>7700 Sandholdt RD.</b> <b>Moss Landing, CA 95039</b> <b>PH: (831) 775-1700</b>					
			Mass Spectrometer MembraneBulkHd_Adaptor		SIZE B DWG. NO. 1002515.DWG REV.			
			SCALE 1:1	CAD FILE: Project Library	SHEET 2 OF 2			